

Overview

IPVision's Compact Mount is designed to be used on structures, walls or roof top parapets. Features 1 1/2" NPT pipe thread for use with all pendant mount camera systems.

Key Features

- 1 1/2 inch NPT pipe thread
- 50 lb. load rating
- All aluminum construction
- Epoxy painted per Mil-P-53022-Type 1
- Adjustable in 45 degree increments

Applications

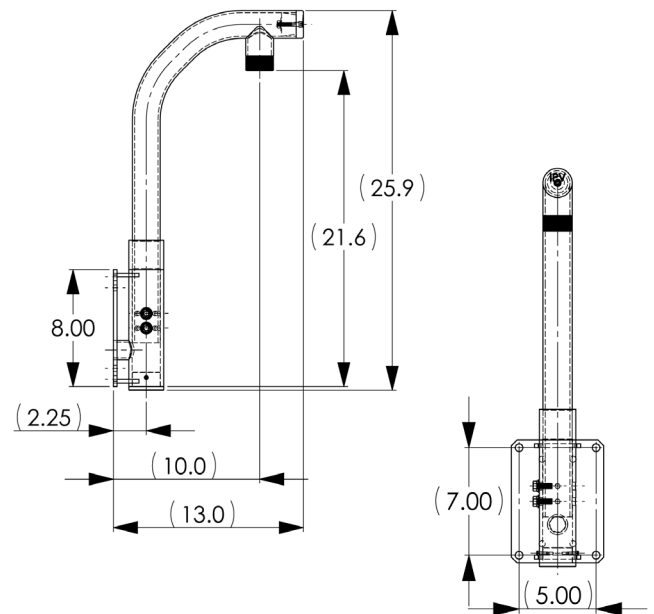
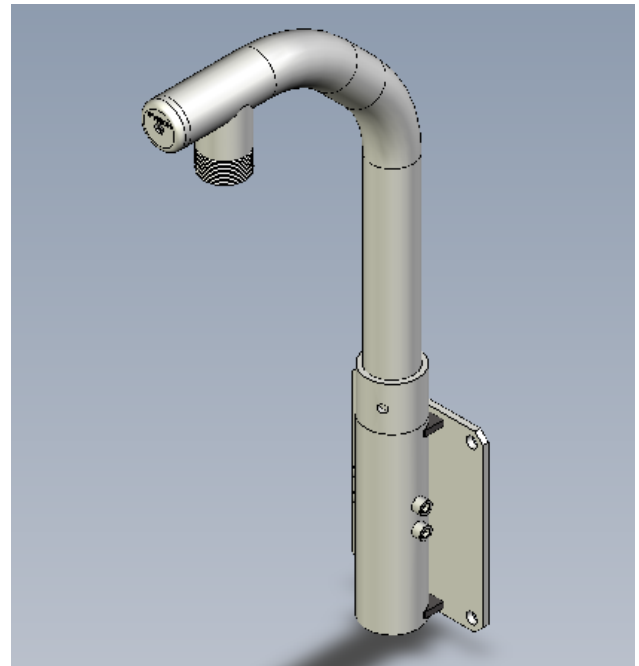
Mount to structure wall or parapet utilizing pendent style camera housing.

Shipping Specifications

Model	Unit Weight	Shipping Weight
IPV-0050-T-80	3 lbs	4 lbs

Product Attributes

Body Construction	Aluminum
Environment	Outdoor
Mount Style	Roof/Wall
RoHS	Yes
WEEE	Yes



*Product specifications are subject to change without notice.