

Overview

The IPVision Girder Camera Mount is a sleek, non-intrusive design allowing camera mounting directly to I-beam style girders. This versatile mount is designed to provide a positive, solid attachment of the camera to a wide range of I-beam sizes. The adjustable clamping method accommodates girder flange widths from 4.5 to 11 inches in its standard model. Flange widths up to 24 inches are available for special order applications. The positive locking design allows mounting at any angle from vertical to horizontal. The mount is simple to install, can withstand harsh environments and can be customized with a variety of finishes to suit customer requirements.

Key Features

- 50 lb. load rating
- All aluminum/Stainless steel construction
- Epoxy painted per Mil-P-53022-Type 1 or custom
- Connects to structural I-beam styles W and S without special tools
- Versatile installation options

Applications

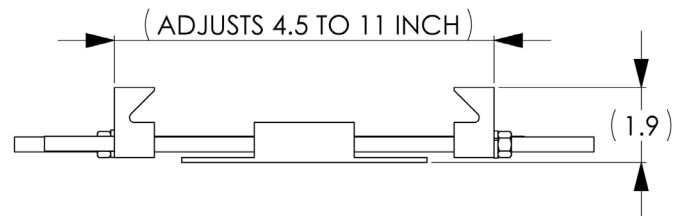
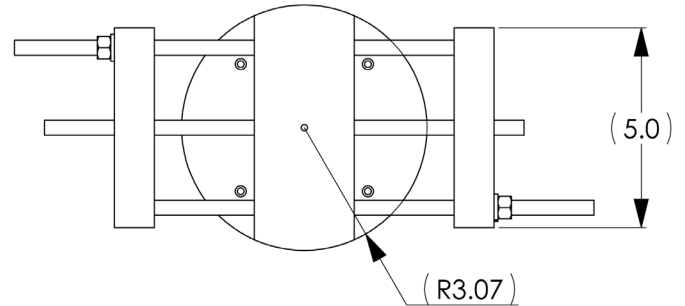
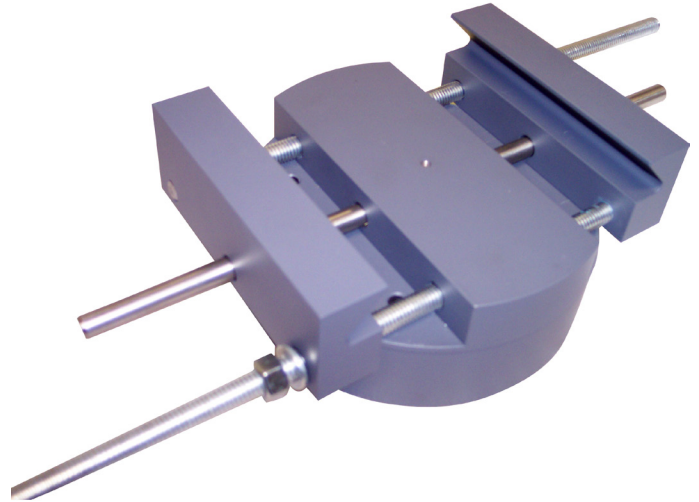
Mount to exposed structural I-beams at any angle. Rugged design for indoor and outdoor applications.

Shipping Specifications

Part Number	Unit Weight	Shipping Weight
IPV-0165-T-80	4.0 lbs	5.0 lbs

Product Attributes

Body Construction	Aluminium/Stainless steel
Environment	Indoor/Outdoor
Mount Style	Girder flush mount
RoHS	Yes
WEEE	Yes



*Product specifications are subject to change without notice.