

Overview

IPVision's Vertical Mount offers superior stability and is designed to be used on ceilings, overhangs or truss'. Comes in two different mounting styles, three length options and features 1½", 1" and ¾" pipe thread.

Key Features

- Superior Stability
- 1 1/2 inch NPT pipe thread
- 1 inch NPT pipe thread
- 3/4 inch NPT pipe thread
- 24", 48" and 72" lengths
- 50 lb. load rating
- All aluminum construction
- Epoxy painted per Mil-P-53022-Type 1

Applications

Part # IPV-0055-T-80-A used for truss mounting.
Part # IPV-0055-T-80-B mounts directly to ceiling.

Shipping Specifications

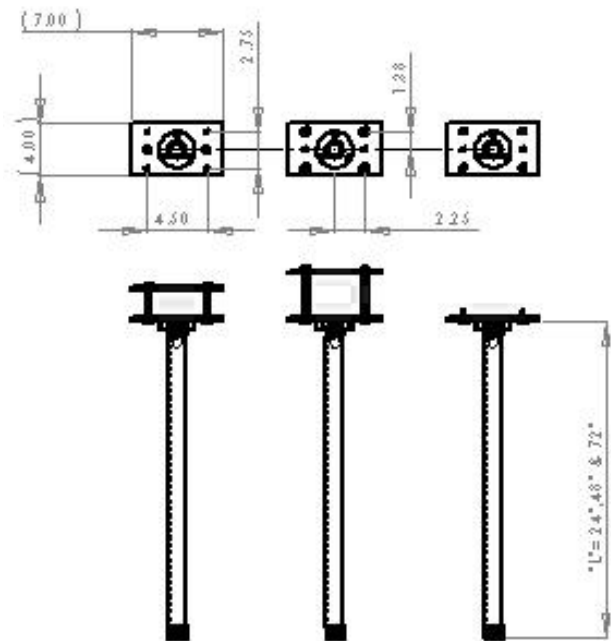
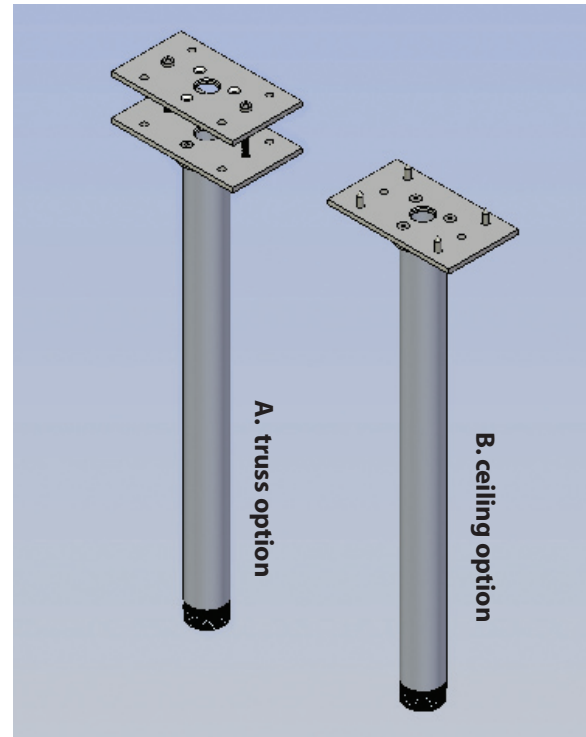
Model pipe Dia.	Part Number	Unit Weight	Shipping Weight
1 1/2"	IPV-0055-T-80	3 lbs	4 lbs
1"	IPV-0055-T-80-1	1.5 lbs	2.5 lbs
3/4"	IPV-0055-T-80-2	1.3 lbs	2.5 lbs

Add a dash and length to end of part number to specify. (example = IPV-055-T-80-B-1-48 for ceiling mount 1" pipe at 48" in length)

Add 2 pounds unit weight per length increment.

Product Attributes

Body Construction	Aluminium
Environment	Indoor/Outdoor
Mount Style	Open ceiling
RoHS	Yes
WEEE	Yes



*Product specifications are subject to change without notice.